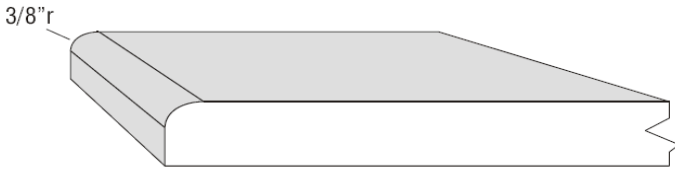
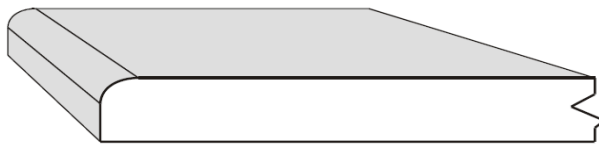


Thermofoils

Door/Drawer Front - New

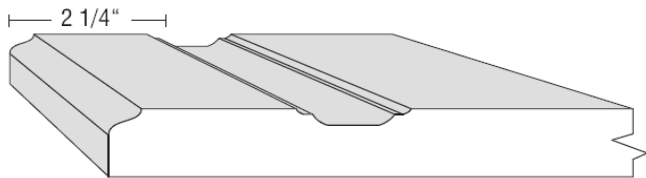


CONTEMPO



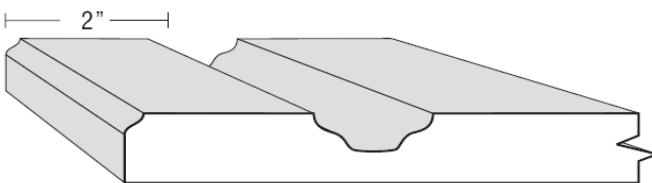
SYDNEY

(Top & bottom of door are square, only sides have 3/8" radius)



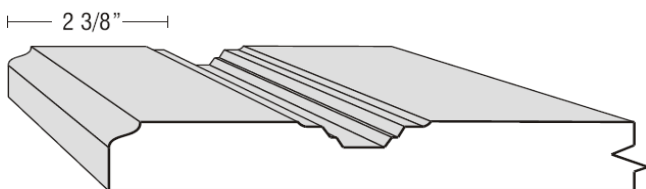
GLACIER

(Round Corners)



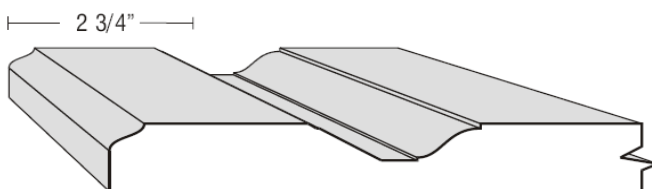
VERMONT

(Round Corners)



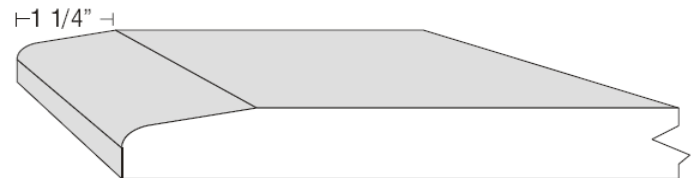
VERONA G.E.

(Round Corners)

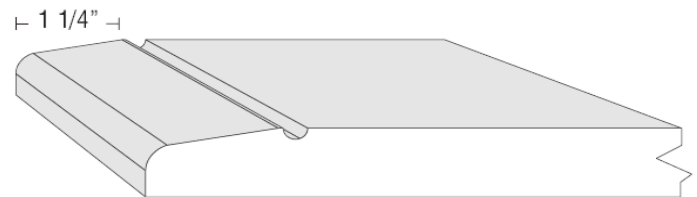


WINTERSET

(Square Corners)

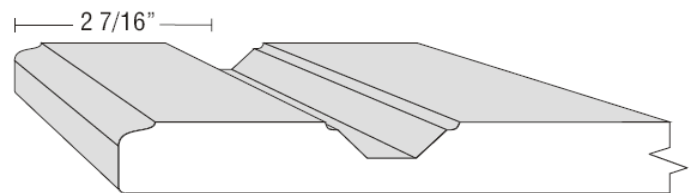


NOVA



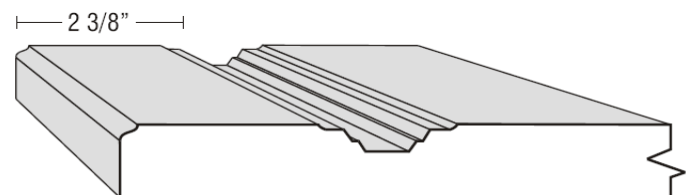
OMEGA

(Flat Face)



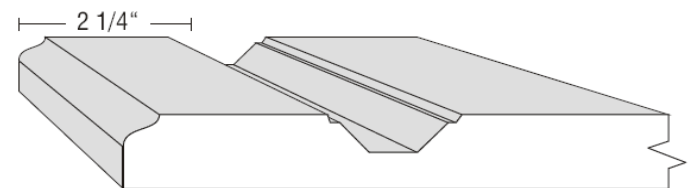
JASPER

(Round Corners)



VERONA

(Round Corners)

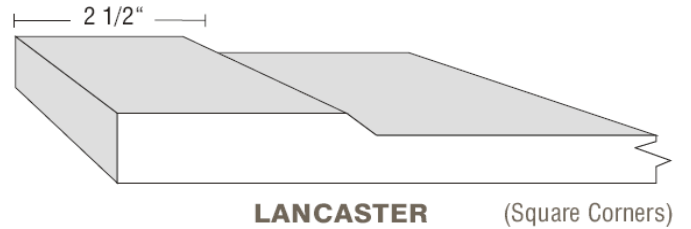
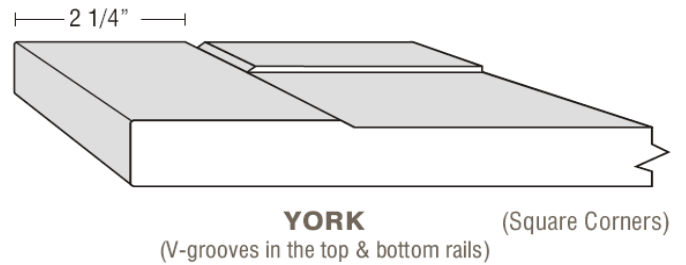
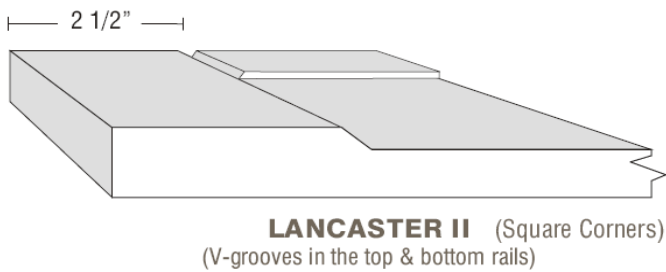
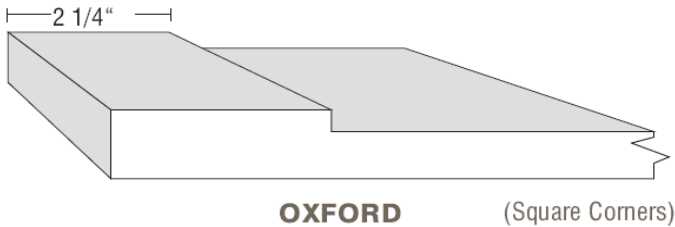
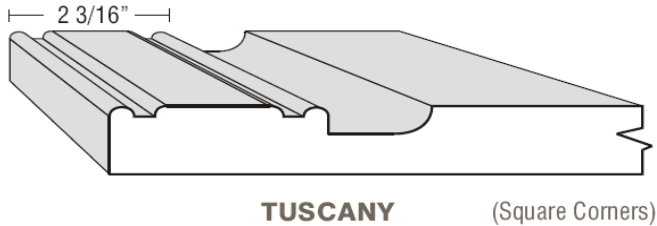


BANFF

(Square Corners)

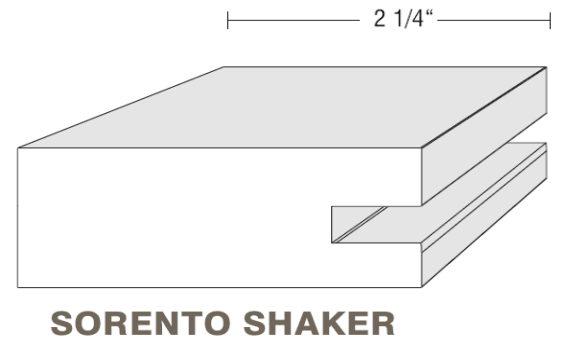
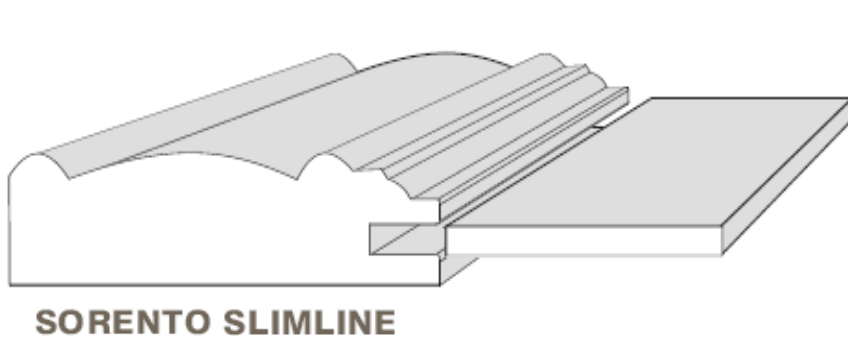
Thermofoils

Door/Drawer Front - New



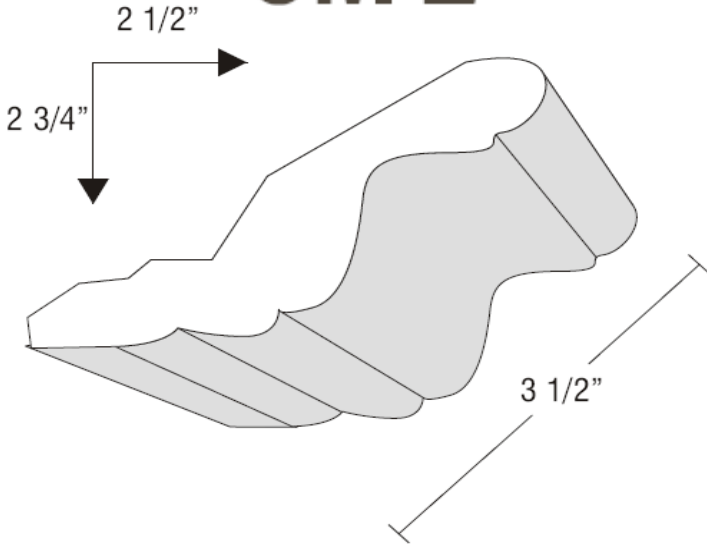
Mitered 5 Piece

Door/Drawer Front - New



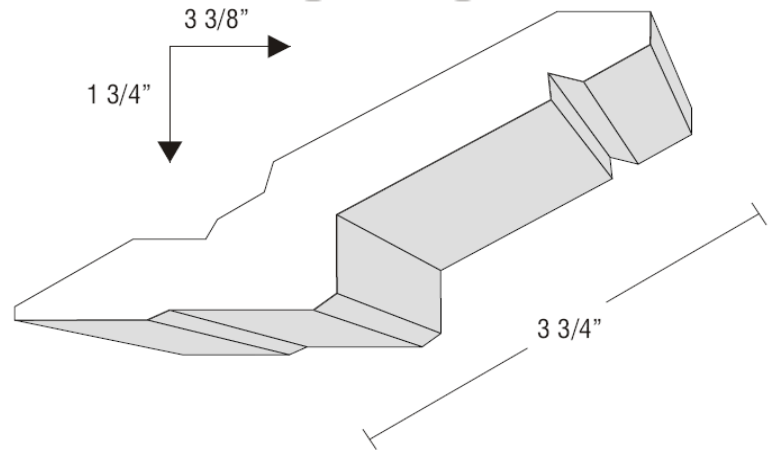
Crown Molding

CM 2



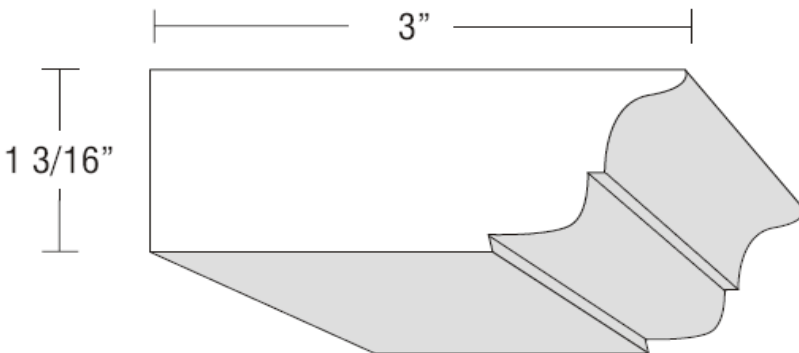
Appendix A (page AP-6) Application Option 1 or 4

CM6



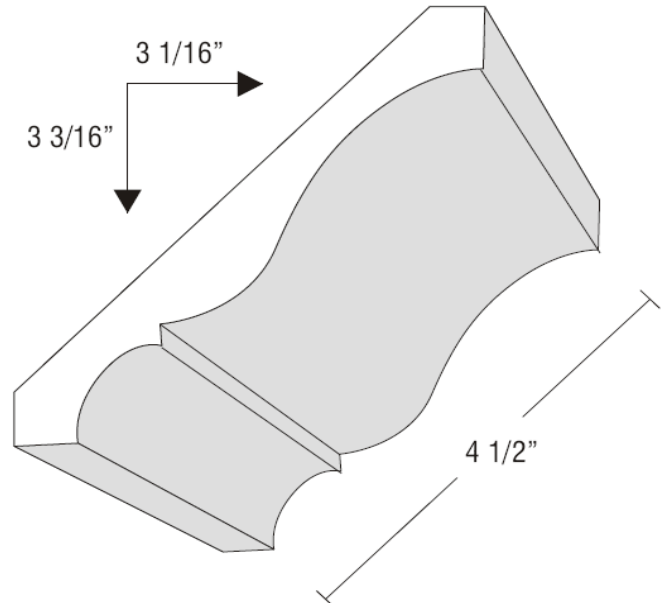
Appendix A (page AP-6) Application Option 1 or 4

CM 1



Appendix A (page AP-6) Application Option 1 or 4

CM 4



Appendix A (page AP-6) Application Option 2 or 3